



# WECON Inverter Catalog 2020



**WECON Technology Co., Ltd**

Addr: 10th building, E field, Software Park, Fuzhou, Fujian, China

Tel: 0086-591-87868869 ext 894

Whatsapp: +8618695607360

Website: [www.we-con.com.cn/en](http://www.we-con.com.cn/en)

Skype: lily-wecon

Email: [sales@we-con.com.cn](mailto:sales@we-con.com.cn)

Technical Support: [support@we-con.com.cn](mailto:support@we-con.com.cn)



WECON Technology Co., Ltd

# VB Series AC Drive

Power Range: Single Phase Input & Three Phase Output(220V): 0.75~2.2kW;  
 Three Phase Input & Three Phase Output (380V): 0.75~400kW

The VB series is a new high-performance vector general-purpose VFD that further enhances stability and reliability through technical upgrades and product optimization, and is suitable for complex applications.



- SVC/VF Control
- 0-1000Hz
- 6-way DI, 2-way AI, 2-way Relay
- High reliability design

## Application

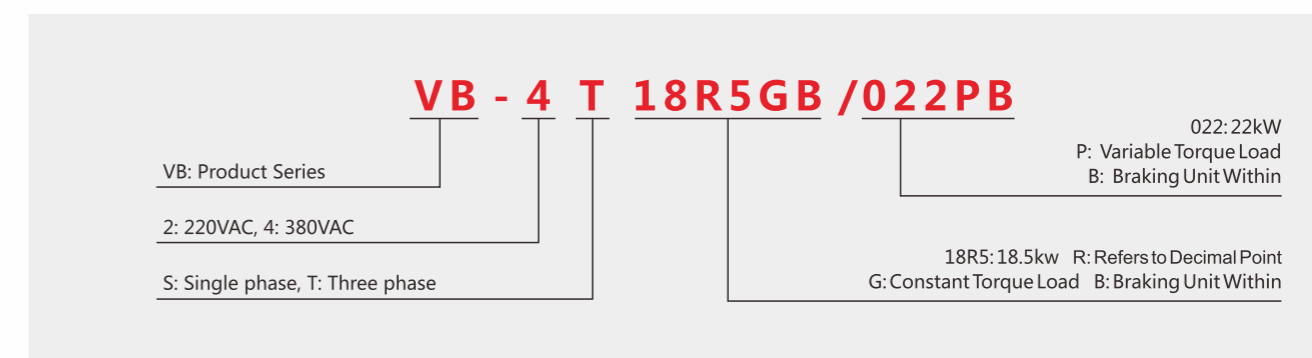
Lifting machinery, tension machinery, cutting and forging machinery, large inertia braking, metal processing, woodworking, rubber and plastic machinery, textile machinery, etc.



## Technical specification sheet

Control characteristic	Control Mode	V/F Control; Sensorless Vector Control (SVC); Torque Control
	Starting Torque	G Type: 0.5Hz/150 % (SVC); P Type: 0.5Hz/100%
	Speed Adjustment Range	1 : 100 (SVC)
	Speed Holding Precision	± 0.5 % (SVC)
	Overload Capability	G Type: 150 % rated current for 60s ; 180 % rated current for 1s P Type: 120 % rated current for 60s ; 150 % rated current for 1s
Input/output	Input Voltage	220V/380V±15%
	Input Frequency	50/60Hz, fluctuation range: ±5%
	Output Voltage	0-rated input voltage
	Output Frequency	SVC: 0~320Hz, V/F: 0~1000Hz
Input/output Terminals	Analog Input	2-way
	Digital Input	6-way
	Analog Output	2-way
	Digital Output	1-way
	Relay Output	2-way
	RS485 Communication Terminal	1-way
	Power Supply	2-way, 1-way10V,1-way 24V
Application environment	Attitude	Lower than 1000m, service is derated capability above 1000m , derate 1% capacity every 100m increased in height
	Environment Temperature	-10°C ~ + 40°C ( service is derated capability for 40°C ~ 50°C )
	Humidity	≤95%RH, no water condensation
	Vibration	< 5.9m/s <sup>2</sup> ( 0.6g )
	Storage Temperature	- 40°C ~ + 60°C

## Model number description

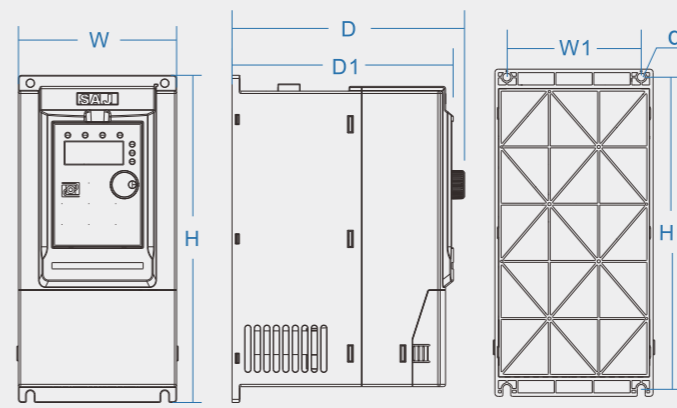


## ■ Specification and selection guide

Voltage grade	Power		Rated input current(A)	Rated output current(A)	Series No.	2:220V 4:380V	S:single phase T: three-phase	Adaptive motor power	G: general type P: fan type	B:integrated with brake function
	kW	HP								
Single phase 220VAC ±15%	0.75	1.0	8.2	4.5	VB	2	S	R75	G	B
	1.5	2.0	14	7	VB	2	S	1R5	G	B
	2.2	3.0	23	9.6	VB	2	S	2R2	G	B
Three phase 380VAC ±15%	0.75	1.0	3.4	2.1	VB	4	T	R75	G	B
	1.5	2.0	5	3.8	VB	4	T	1R5	G	B
	2.2	3.0	5.8	5.1	VB	4	T	2R2	G	B
	4/5.5	5.5/7.5	10.5/14.6	9/13	VB	4	T	4/5R5	G/P	B
	5.5/7.5	7.5/10	14.6/20.5	13/17	VB	4	T	5R5/7R5	G/P	B
	7.5	10.2	20.5	17	VB	4	T	7R5	G	B
	11/15	15/20	26/35	25/32	VB	4	T	011/015	G/P	B
	15/18.5	20/25	35/38.5	32/37	VB	4	T	015/18R5	G/P	B
	18.5/22	25/30	38.5/46	37/45	VB	4	T	18R5/022	G/P	B
	22/30	30/40	46.5/62	45/60	VB	4	T	022/030	G/P	B
	30/37	40/50	62/76	60/75	VB	4	T	030/037	G/P	/
	37/45	50/60	76/92	75/91	VB	4	T	037/045	G/P	/
	45/55	60/70	92/113	91/110	VB	4	T	045/055	G/P	/
	55/75	70/100	113/157	112/150	VB	4	T	055/075	G/P	/
	75/90	100/125	157/180	150/170	VB	4	T	075/090	G/P	/
	90/110	125/150	180/214	170/210	VB	4	T	090/110	G/P	/
	110/132	150/180	214/256	210/253	VB	4	T	110/132	G/P	/
	132/160	180/220	256/307	253/304	VB	4	T	132/160	G/P	/
	160/185	220/255	307/345	304/340	VB	4	T	160/185	G/P	/
	185/200	255/275	345/385	340/377	VB	4	T	185/200	G/P	/
200/220	275/300	385/430	377/426	VB	4	T	200/220	G/P	/	
220/250	300/340	430/468	426/465	VB	4	T	220/250	G/P	/	
250/280	340/380	468/525	465/520	VB	4	T	250/280	G/P	/	
280/315	380/430	525/590	520/585	VB	4	T	280/315	G/P	/	
315/355	430/480	590/665	585/650	VB	4	T	315/355	G/P	/	
355/400	480/545	665/785	650/725	VB	4	T	355/400	G/P	/	
400	545	785	725	VB	4	T	400	G	/	

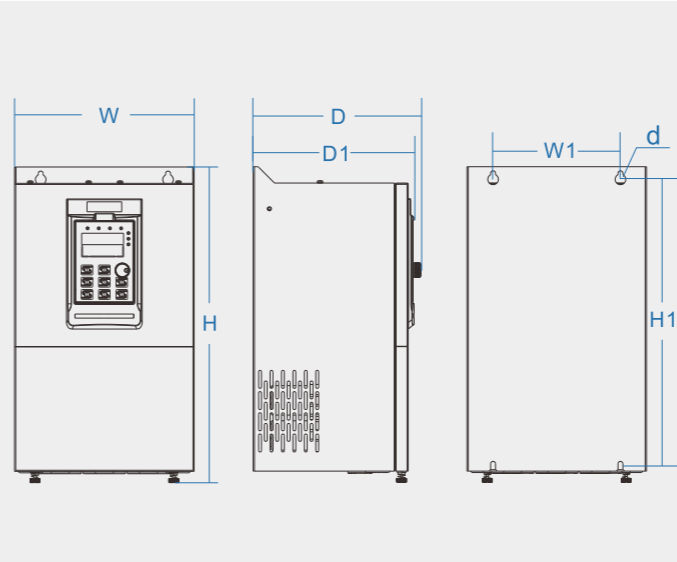
## ■ Dimensions(mm)

### 0.75kW-7.5kW dimension



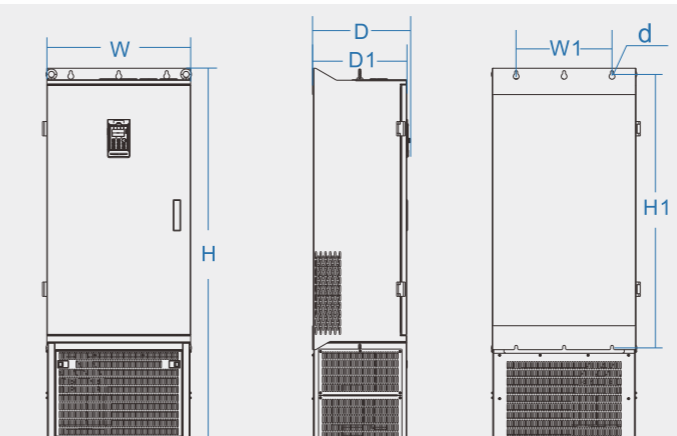
Inverter Model	Outline size				Installation dimension		Opening size
	H	W	D	D1	H1	W1	d
VB-2SR75GB	187	88	138	130	177	73	5
VB-2S1R5GB							
VB-2S2R2GB							
VB-4TR75GB							
VB-4T1R5GB							
VB-4T2R2GB							
VB-4T004GB/5R5PB	207	100	147	139	197	85	5
VB-4T5R5GB/7R5PB	247	130	167	159	237	113	5
VB-4T7R5GB							

### 11kW-185kW dimension



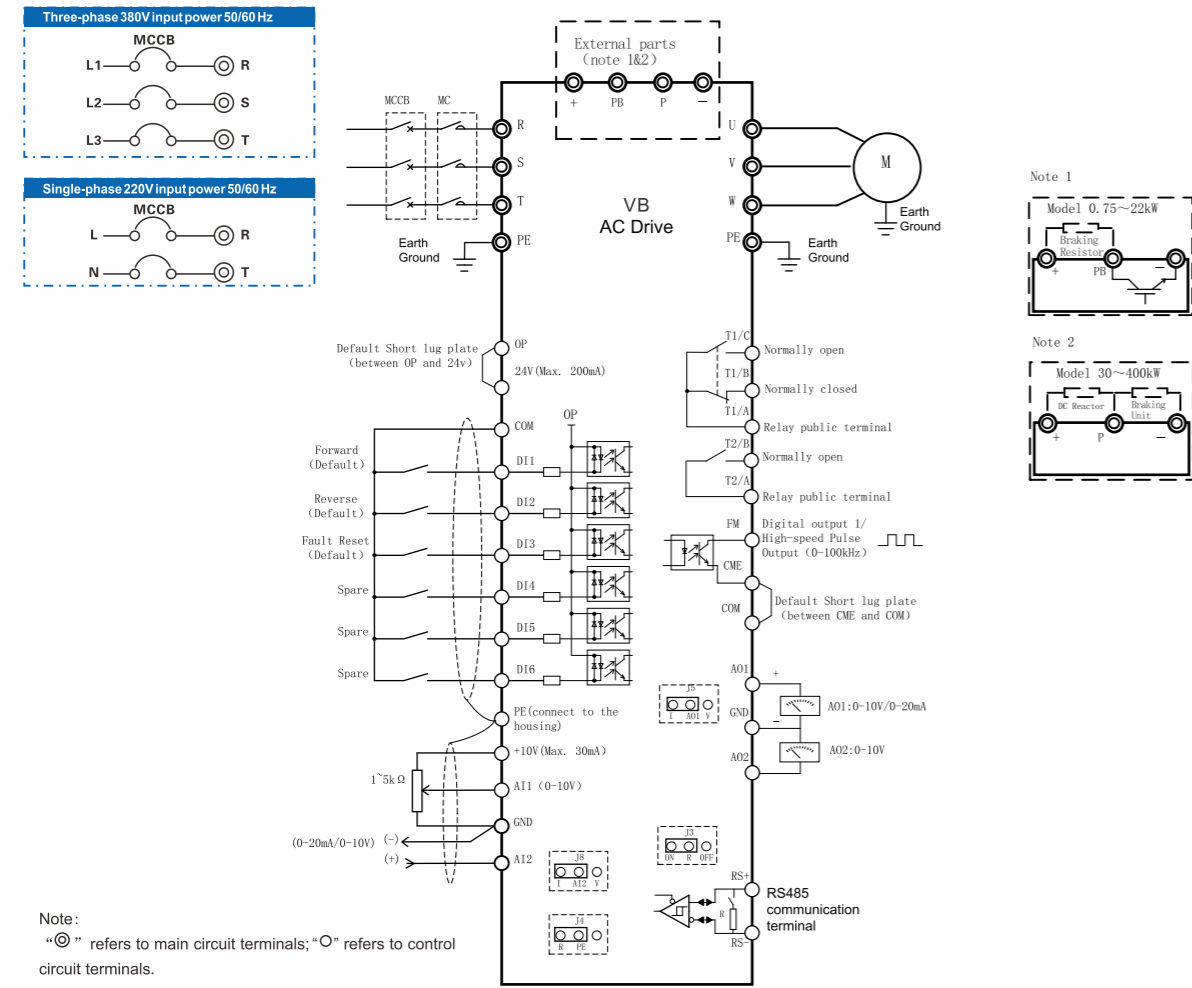
Inverter Model	Outline size				Installation dimension		Opening size
	H	W	D	D1	H1	W1	d
VB-4T011GB/015PB	348	182	211	196	331	156	6
VB-4T015GB/18R5PB							
VB-4T18R5GB/022PB	373	220	205	190	356	156	6
VB-4T022GB/030PB							
VB-4T030G/037P	435	256	222	208	419	170	6
VB-4T037G/045P							
VB-4T045G/055P	543	310	280	265	523	245	10
VB-4T055G/075P							
VB-4T075G/093P	580	358	328	314	560	270	10
VB-4T093G/110P							
VB-4T110G/132P	869	502	355	342	842	320	10
VB-4T132G/160P							
VB-4T160G/185P	869	502	355	342	842	320	10
VB-4T185G/200P							

### 200kW-400kW dimension

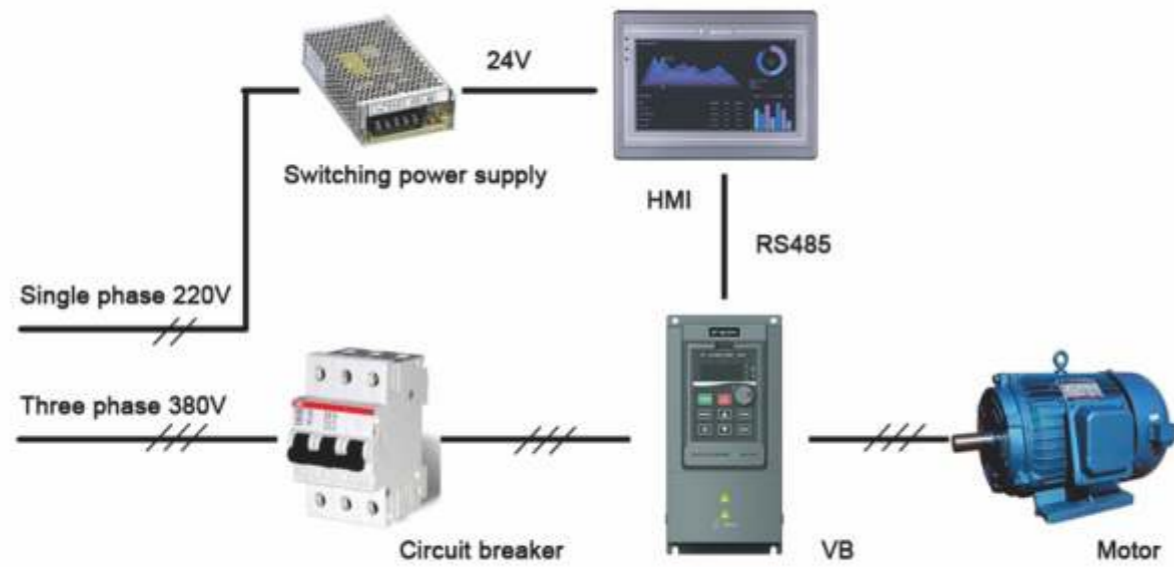


Inverter Model	Outline size				Installation dimension		Opening size
	H	W	D	D1	H1	W1	d
VB-4T200G/220P	1570	600	408	398	1147	400	12
VB-4T220G/250P							
VB-4T250G/280P							
VB-4T280G/315P	1696	800	408	398	1266	520	12
VB-4T315G/355P							
VB-4T355G/400P							
VB-4T400G							

## Wiring Diagram



## System Composition



## VB Industry Applications



### Metal/civil working machinery

**Typical equipment:** numerical control machine tool, engraving and milling machine  
**Requirements:** constant torque, rapid start/stop control  
**8000B features:** parameter identification, DC braking, analog and communication given frequency



### Conveying machinery

**Typical equipment:** roller conveyer line  
**Requirements:** constant torque, great inertial load  
**8000B features:** high start torque, parameter identification, DC braking, rapid start/stop, integrated brake unit for 18.5kW and below



### Rubber and plastics machine

**Typical equipment:** plastic extruder  
**Requirements:** wide speed regulation range, steady torque, low speed fluctuation  
**8000B features:** low speed high torque, quick dynamic response, AVR automatic voltage regulation

### Textile/chemical fiber machinery

**Typical equipment:** double twister, needling machine, needling machine  
**Requirements:** stepless speed regulation, low speed high torque, low speed fluctuation  
**8000B features:** low speed high torque, quick dynamic response

