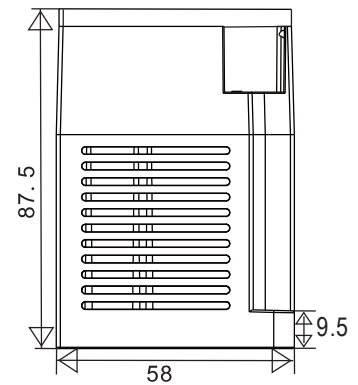
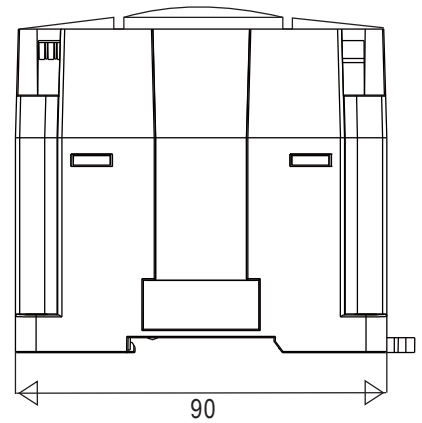
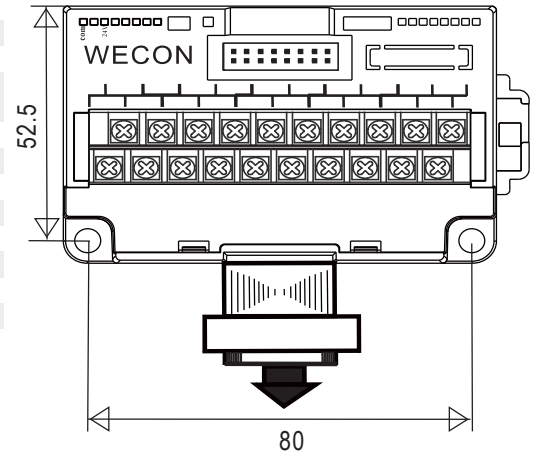


Model	Channels	Resolution	Functionality
LX3V-1WT	1	24 bits	weighing module
LX3V-1WT-L	1	18 bits	weighing module
LX3V-2WT	2	24 bits	weighing module
LX3V-2WT-L	2	18 bits	weighing module

## Specification

Item	LX3V-1WT	LX3V-1WT-L	LX3V-2WT	LX3V-2WT-L
Channel	Signal channel			
Speed	7.5/10/25/50/60/150/300Hz available			
Polarity	Unipolar and bipolar			
Non-linearity	≤0.01% full scale(25°C)			
Zero drift	≤0.2μV/ °C			
Gain drift	≤10ppm/ °C			
Excitation Voltage/ load	5V, load impedance≥200Ω			
Sensor sensitivity	1mV/V-15mV/V			
Isolation	Transformer (power supply) and the optical coupler (signal)			
Lamp	Power supply lamp, communication lamp			
Power supply	24V±20% 2VA			
Operating temperature	0~60 °C			
Storage temperature	-20~80 °C			
Dimension	90(L)x58(W)x80(H) mm			
CE Certification	CE marked			



Model	Channels	Resolution	Functionality
LX3V-4AD	4	12 bits	Analog signal input

## Specification

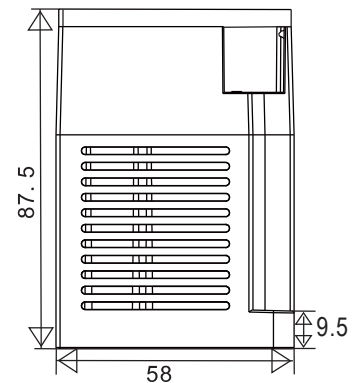
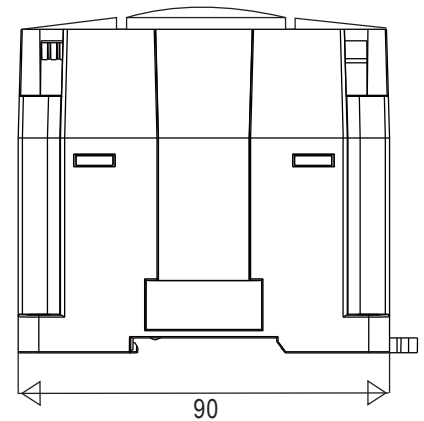
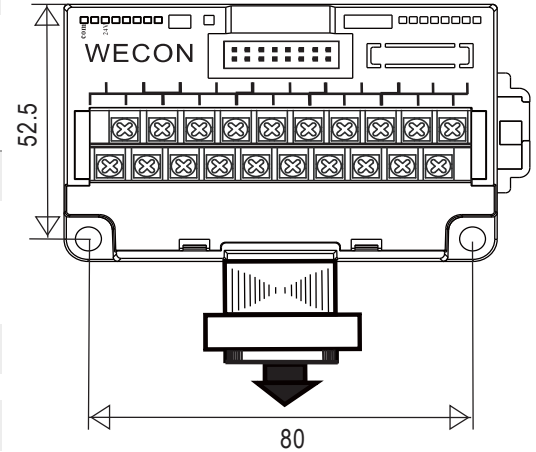
Item	LX3V-4AD
Dielectric withstand voltage	500VAC, 1min (between all terminals and ground)

## Power supply

Item	LX3V-4AD
Analog circuits	24V DC±10%, 55mA (external power supply from main unit)
Digital circuits	5V DC, 90mA (internal power supply from main unit)

## Inputs

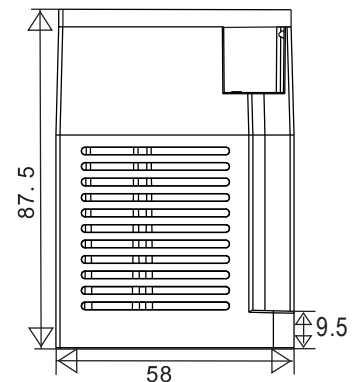
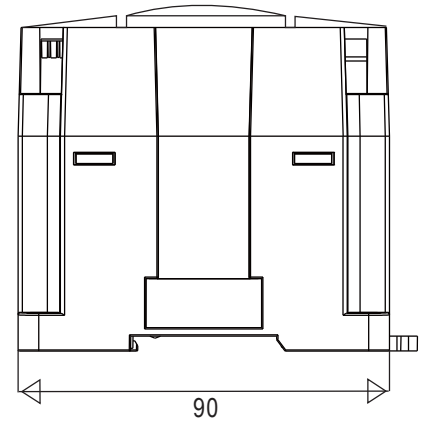
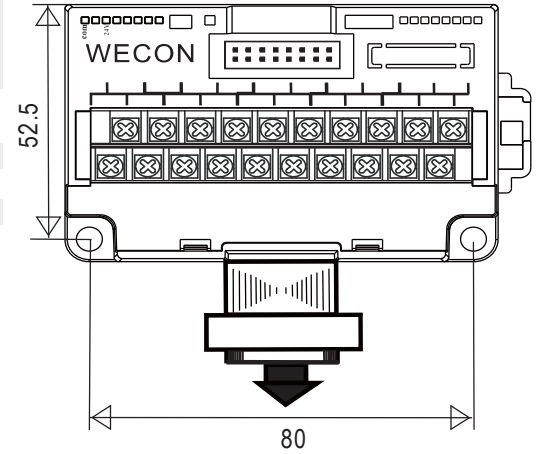
	Voltage Input	Current input
Items	Either voltage or current input can be selected with your choice of input terminal. Up to four input points can be used at one time.	
Analog input range	DC -10V to +10V (input resistance: 200kΩ). Warning: this unit may be damaged by input voltage in excess of ±15V	DC -20mA to +20mA (input resistance: 250Ω). Warning: this unit may be damaged by input currents in excess of ±32mA.
Digital output	12-bit conversion stored in 16-bit 2's complement form Maximum value: +2047 Minimum value: -2048	
Resolution	5mV (10V default range 1/2000)	20μA (20mA default range 1/1000)
Over all accuracy	±1% (for the range of -10V to +10V)	±1% (for the range of -20mA to +20mA)
Conversion speed	15ms/channel (Normal speed), 6ms/channel (High speed)	
CE Certification	CE marked	



Model	Channels	Resolution	Functionality
LX3V-4DA	4	12 bits	Analog signal output

## Specification

Items	LX3V-4DA
Dielectric withstand voltage	500VAC, 1min (between all terminals and ground)
Analog circuits	24V DC $\pm$ 10%, 55mA (external power supply from main unit)
Digital circuits	5V DC, 30mA (internal power supply from main unit)
Voltage/Current Input	Either voltage or current input can be selected with your choice of input terminal. Up to four input points can be used at one time. DC -10V to +10V (input resistance: 200k $\Omega$ ).
Analog output range	Warning: this unit may be damaged by input voltage in excess of $\pm$ 15V DC - 20mA to +20mA (input resistance:250 $\Omega$ ). Warning: this unit may be damaged by input currents in excess of $\pm$ 32mA. 12-bit conversion stored in 16-bit 2's complement form
Digital input	Maximum value: +2047 Minimum value: -2048
Resolution	5mV (10V default range 1/2000)/20 $\mu$ A (20mA default range 1/1000)
Over all accuracy	$\pm$ 1% (for the range of -10V to +10V)/ $\pm$ 1% (for the range of -20mA to +20mA)
Conversion speed	15ms/channel (Normal speed), 6ms/channel (High speed)
CE Certification	CE marked

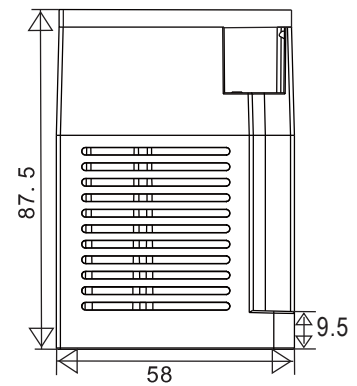
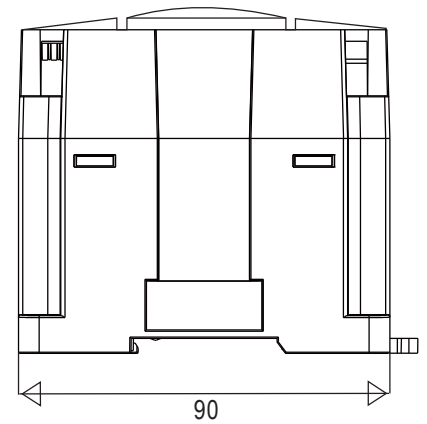
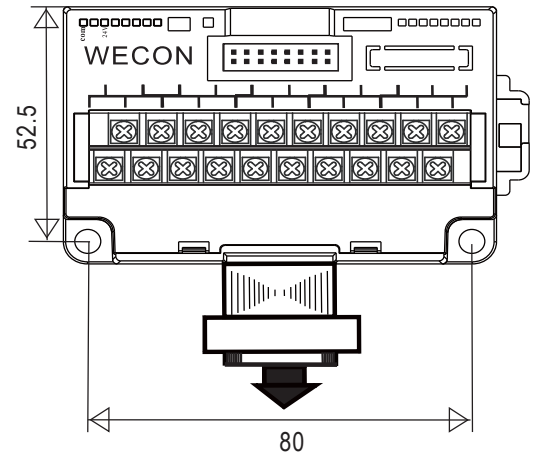


Model	Channels	Resolution	Functionality
LX3V-4PGA	4	--	support trapezoidal acceleration and deceleration. Support single-speed positioning
LX3V-4PGB	4	--	support trapezoidal / S-type acceleration and deceleration, dual-speed positioning, interrupt single-speed positioning, variable speed operation



## Specification

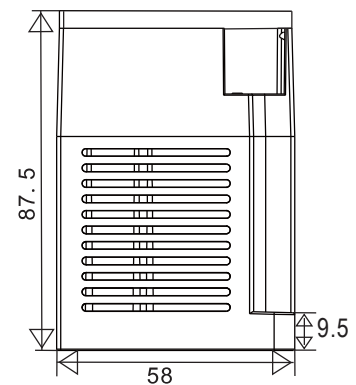
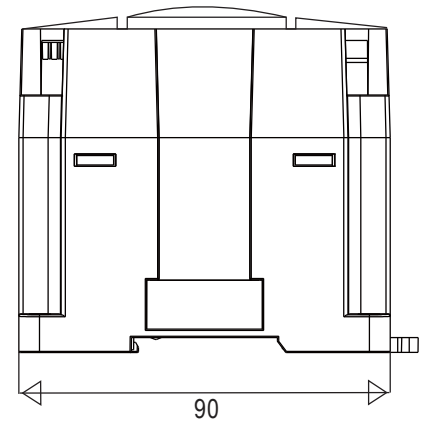
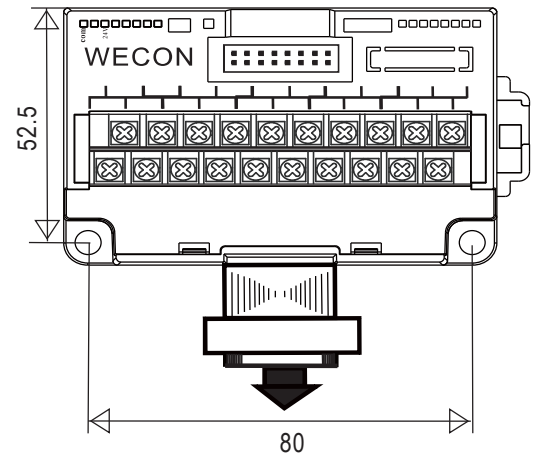
Items	LX3V-4PGA	LX3V-4PGB
Output circuit		
Power supply	DC5V ~ 30V	
Circuit insulation	Photo-coupling	
LED	LED on when Photo-coupling is driven	
Load Resistance	0.5A/ one point, 0.8A/ two point	
Load Inductance	12W/DC24V	
Load Lamp	0.9W/DC24V	
Leakage current	0.1mA/DC30V	
Minimum load	—	
OFF->ON/ON->OFF	Less than 0.2ms	
Output signal	NPN	
CE Certification	CE marked	



Model	Channels	Resolution	Functionality
LX3V-4TC	4	14 bits	Analog thermocouple inputs
LX3V-4LTC	4	14 bits	Analog thermocouple inputs, with PID Control
LX3V-8iTC	8	14 bits	Analog thermocouple inputs

## Specification

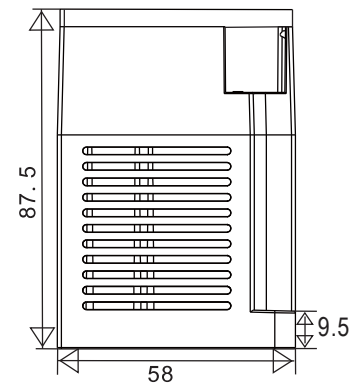
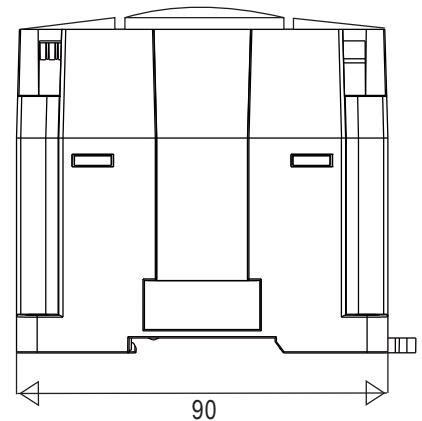
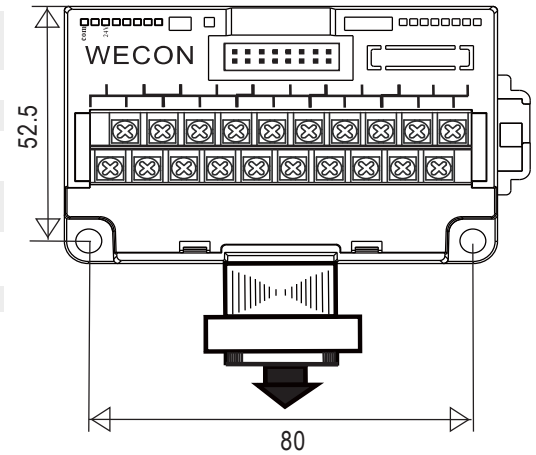
Item	LX3V-4TC	LX3V-4LTC	LX3V-8iTC
Dielectric withstand voltage	500V AC, 1min (between all terminals and ground)		
Analog circuits	24V DC $\pm$ 10%, 55mA		
Digital circuits	5V DC, 90mA (internal power supply from the main unit)		
Centigrade ( $^{\circ}$ C)/Fahrenheit ( $^{\circ}$ F)	Both $^{\circ}$ C and $^{\circ}$ F are available by reading the appropriate buffer memory (BFM).		
Input signal	Thermocouple: Type K or J (either can be used for each channel), 4 channels		
Rated temperature range( $^{\circ}$ C)	Type K: -100 $^{\circ}$ C to +1200 $^{\circ}$ C	Type J: -100 $^{\circ}$ C to +600 $^{\circ}$ C	
Rated temperature range( $^{\circ}$ F)	Type K: -148 F $^{\circ}$ to +2192 F $^{\circ}$	Type J: -148 F $^{\circ}$ to +1112 F $^{\circ}$	
Digital output( $^{\circ}$ C)	Type K: -1000 to 12000	Type J: -1000 to 6000	
Digital output( $^{\circ}$ F)	Type K: -1480 to 21920	Type J: -1480 to 11120	
Digital output	12-bit conversion, save as complement of 2 in 16 bits $\pm$ (0.5% full scale +1 $^{\circ}$ C)		
Overall accuracy	Freezing point of pure water 0 $^{\circ}$ C / 32 $^{\circ}$ F		
Conversion speed	(240ms $\pm$ 2%) $\times$ 4 channels (unused channels are not converted)		
CE Certification	CE marked		



Model	Channels	Resolution	Functionality
LX3V-4PT	4	14 bits	Pt100 input

## Specification

Item	LX3V-4PT
Dielectric withstand voltage	500VAC, 1min (between all terminals and ground)
Analog circuits	24V DC $\pm$ 10%, 55mA
Digital circuits	5V DC, 30mA (internal power supply from main unit)
Centigrade ( $^{\circ}$ C)/Fahrenheit ( $^{\circ}$ F)	Both $^{\circ}$ C and $^{\circ}$ F are available by reading the appropriate buffer memory (BFM).
Analog input signal	Platinum temperature PT 100 sensors (100 $\Omega$ ), 3-wire, 4-channel (CH1, CH2, CH3, CH4), 3850 PPM/ $^{\circ}$ C
Current to sensor	1 mA. sensor: 100 $\Omega$ PT 100
Compensated range	-100 $^{\circ}$ C to 600 $^{\circ}$ C    -148 to +1112
Digital output	-1000 to 6000    -1480 to 11120 12-bit conversion, save as complement of 2 in 16 bits
Minimum resolvable temp.	0.2 $^{\circ}$ C to 0.3 $^{\circ}$ C    0.36 $^{\circ}$ F to 0.54 $^{\circ}$ F
Overall accuracy	$\pm$ 1% full scale (compensated range) -see section 7.0 for special EMC considerations
Conversion speed	4 Channels 15ms
CE Certification	CE marked

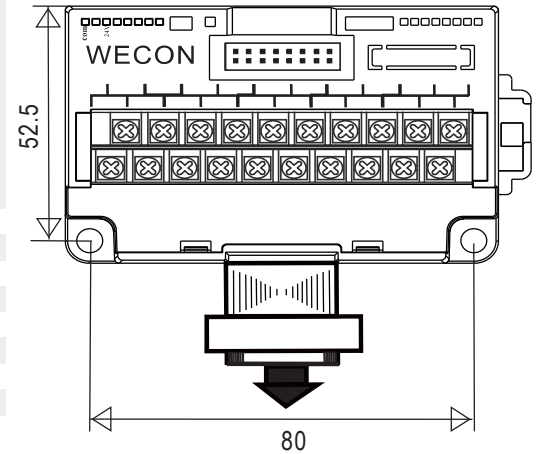


Model	Channels	Resolution	Functionality
LX3V-8EYR	8	--	8 outputs, relay type
LX3V-8EYT	8	--	8 outputs, transistor type
LX3V-16EYR	16	--	16 outputs, relay type
LX3V-16EYT	16	--	16 outputs, transistor type

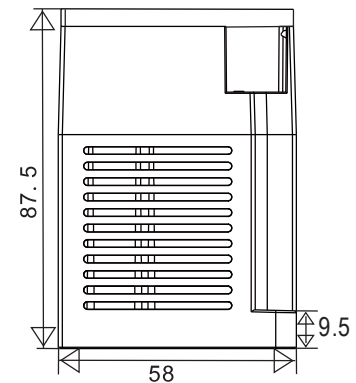
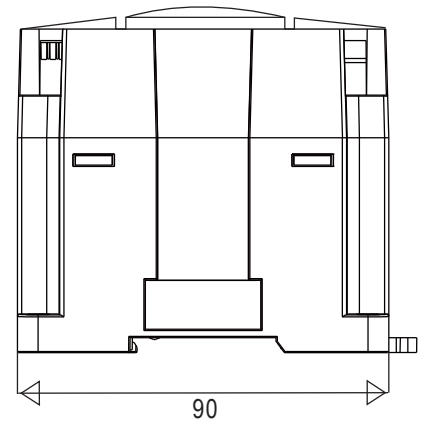


## Specification

Item	LX3V-8EYR	LX3V-8EYT
Output circuit		
Power supply	Less than AC25V or DC30V	DC5V ~ 30V
Circuit insulation	Mechanical	Photo-coupling
LED	LED ON when relay is energized	LED on when Photo-coupling is driven
Resistance	2A/ one point	0.5A/ one point
Inductance	8A/ two-point COM	0.8A/ two point
Lamp	8A/ eight-point COM	1.6A/ eight point
Leakage current	----	0.1mA/DC30V
Minimum load	DC5V 2mA reference value	----
OFF->ON	About 10ms	Less than 0.2ms
ON->OFF	About 10ms	Less than 0.2ms
CE Certification	CE marked	CE marked



Item	LX3V-16EYR	LX3V-16EYT
Output circuit		
Power supply	Less than AC250V or DC 30V	DC 5V~ 30V
Circuit insulation	Mechanical	Photo-coupling
LED	Light when relay is energized	Light when photo-coupling is energized
Resistance	2A/ point	0.5A/ point
Inductance	8A/ four points	0.8A/ four points
Lamp	8A/ eight points	1.6A/ eight points
Leakage current	80VA	12W/DC24V
Minimum load	100W	1.5W/DC24V
OFF->ON	--	0.1mA/ DC 30V
ON->OFF	--	DC 5V 2mA
OFF->ON	About 10ms	Less than 0.2ms
ON-> OFF	About 10ms	Less than 0.2ms



Model	Channels	Resolution	Functionality
LX3V-8EX	8	--	8 inputs
LX3V-16EX	16	--	16 inputs

## Specification

Item	LX3V-8EX	LX3V-16EX
Output circuit		
Input voltage	DC $\pm 24V \pm 10\%$ *1	
Input current	5mA/ DC24V	
Input ON current	Less than 3.5mA	
Input OFF current	Less than 1.5mA	
Input response time	About 10ms	
Input signal	X0~X7 built-in digital filter, setting time 0 ~ 60ms	
Circuit insulation	Contactor NPN or PNP	
LED	Photo coupling	
LED	LED ON when input is ON	
CE Certification	CE marked	

